

TC-NC214

2MP Mini IR Bullet Camera

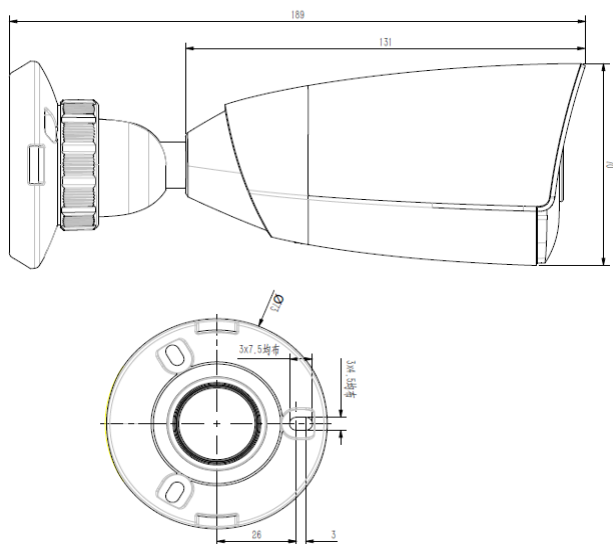
Tiandy



Features

- Up to 1920X1080@30fps
- Cable Free Design
- H.264/M-JPEG Codec
- Smart IR, IR Range: 25m
- VCA Tripwire/Perimeter
- Interface MicroSD Card Slot, up to 128GB, Reset Button
- TVS 6000V, Lightning/Surge Protection: (Power 2000V, RJ45 1000V), IP67
- Operating Conditions -35°C ~ 60°C (IR OFF) / -35°C ~ 40°C (IR ON), 0 ~ 95% RHG
- CE, FCC

Dimensions



Camera	
Image Sensor	1/2.7" CMOS
Core Processor	ARM9 Architecture
Operating System	Embedded Linux
Signal System	PAL/NTSC
Min. Illumination	Color: 0.05 Lux @(F1.2, AGC ON) B/W: 0.01Lux @(F1.2, AGC ON); 0 Lux with IR
Shutter Time	1s to 1/100,000s
Lens	4mm, Angle of View: 86.5°
Lens Mount	φ12
Auto Iris	N/A
Day& Night	IR Cut Filter with Auto Switch
Wide Dynamic Range	100 dB
Digital Noise Reduction	3D DNR
S/N Ratio	>60dB
Compression Standard	
Video Compression	H.264/MJPEG
Video Bit Rate	32Kbps~16Mbps
Image	
Max. Image Resolution	1920x1080
Frame Rate	PAL: 25fps (1920 × 1080) NTSC: 30fps (1920 × 1080) Mainstream:1080P(1920*1080)
Triple Stream	Substream:D1(704*576) 3rd stream:CIF(352*288)
Image Settings	Brightness, Saturation, Contrast, Flip Mode Adjustable by Client Software or Web Browser
HLC	Y
Smart Defog	Y
Corridor Format	Y, Available for 720P and Above
EIS	Y
ROI	4 Zones
Privacy Mask	4 Zones
Picture Overlay	200 × 200, BMP 24bit, Zone Configurable
OSD	16×16, 32×32, 24×24, 48×48, 64×64 Size Letters Such as Week, Date, Time, Total 5 Regions
Network	
Browser	CHROME V45 or lower, IE, FIREFOX
Network Storage	FTP
NTP	Y
ANR	Y
Video Analytics	Tripwire/Perimeter
Alarm Trigger	Motion Detection/IP Conflict/MAC Conflict/Mask Alarm
Protocols	IPv4/IPv6/HTTP/802.1x/FTP/SNMP/UPnP/SNMP/DNS/DDNS/NTP/RTSP /TCP/UDP/DHCP/PPPoE/HTTPS/ARP/RTP/QoS/MULTICAST/ICMP/IGMP
User Permission	4 Level/8 Users
Remote Connection	3 Users Access at the Same Time
NTP	Y
System Compatibility	ONVIF (Profile S) , P2P, SDK
Interface	
Audio Input	N/A
Audio Output	N/A
Communication Interface	1-ch RJ45 10M / 100M Ethernet Interface
Alarm Input	N/A
Alarm Output	N/A
Video Output	N/A
On-board Storage	MicroSD Card Slot, up to 128GB
Reset	Y
General	
Language	English, Spanish, Korean, Italian, Turkish, Thai, Russian Polish, French, Traditional Chinese, Simplified Chinese
Operating Conditions	-35°C ~ 60°C (IR OFF) / -35°C ~ 40°C (IR ON), 0 ~ 95% RHG
Power Supply	DC 12V±10%/PoE
Power Consumption	Max. 5W (IR OFF) (ICR Instant Switch 8.5W) Max. 7W (IR ON)
Circuit Protection	TVS 6000V, Lightning/Surge Protection: (Power 2000V, RJ45 1000V)
Impact Protection	IP67
IR Range	25m
IR LEDs	2pcs Array
Dimensions	189mm×70mm×70mm
Weight	0.7KG (IP Camera Only); 0.9KG (with Packing Box)

* The latest product information / specification can be found at <http://en.tiandy.com/>

