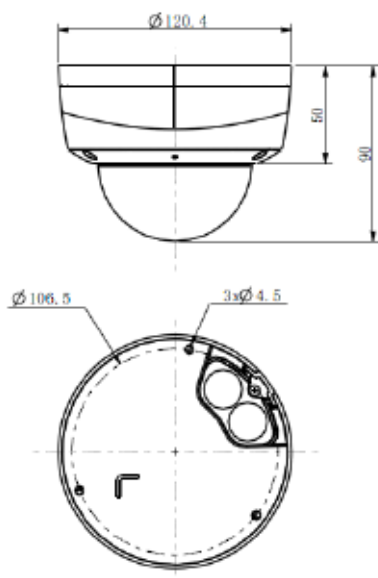




Features

- Up to 2560×1440@25fps
- Cable Free Design
- H.265/H.264 HP/MP/BP/M-JPEG Codec
- Min. Illumination Color: 0.05 Lux, B/W: 0.01 Lux, 0 Lux with IR
- IE, Chrome, Firefox, Safari, Plug-in Free
- Mechanical WDR 120dB
- Smart IR, IR Range: 20m
- VCA Tripwire/Double Tripwire/Perimeter/Object Abandon/Object Lost/Running/Loitering/Parking/Crowd/Audio Abnormal Detection/Video Abnormal Detection
- Interface Built-in Mic, Audio in/out 1/0, MicroSD Card Slot, up to 128GB, Reset Button
- TVS 6000V, Lightning/Surge Protection: (Power 2000V, RJ45 1000V), IP67
- Operating Conditions -35℃ ~ 60℃ (IR OFF) / -35℃ ~ 40℃ (IR ON), 0 ~ 95% RHG
- Case Material Metal
- CE, FCC

Dimensions



Camera	
Image Sensor	1/3" CMOS
Core Processor	ARM7 Architecture
Operating System	Embedded Linux
Signal System	PAL/NTSC
Min. Illumination	Color: 0.05 Lux @(F1.2, AGC ON) B/W: 0.01Lux @(F1.2, AGC ON); 0 Lux with IR
Shutter Time	1s ~ 1/100000s
Lens	2.8mm, Angle of View: 99°
Lens Mount	φ12
Auto Iris	N/A
Adjustment Range	Pan: 0° - 355°, Tilt: 0° - 75°, Rotation: 0° - 355°
Day & Night	IR Cut Filter with Auto Switch
Wide Dynamic Range	120 dB
Digital Noise Reduction	3D DNR
Compression Standard	
Video Compression	H.265/H.264 HP/MP/BP/M-JPEG
Encode Type	High Profile/Main Profile/Base Line Profile
Video Bit Rate	32Kbps~16Mbps
Audio Compression	G.711A/G.711U/ADPCM/AAC
Audio Bit Rate	G711 8KHz, 64kbps
Image	
Max. Image Resolution	1440P(2560×1440)
Frame Rate	PAL: 1440P@25fps, QXGA@25fps NTSC: 1440P@25fps, QXGA@30fps
Triple Stream	Mainstream: 1440P(2560×1440) Substream: D1(704×576) 3rd stream: CIF(352×288)
Image Settings	Brightness, Saturation, Contrast, Flip Mode Adjustable by Client Software or Web
HLC	Y
Smart Defog	Y
Corridor Format	Y
EIS	Y
ROI	4 Zones
Privacy Mask	4 Zones
Picture Overlay	200 × 200, BMP 24bit, Zone Configurable
OSD	16×16, 32×32, 24×24, 48×48, 64×64, 96×96 Size Letters Such as Week, Date,
Network	
Browser	IE, Chrome, Firefox, Safari, Plug-in Free
Network Storage	FTP
NTP	Y
ANR	Y, Auto store video in SD card when NVR disconnected, and upload video to NVR
Video Analytics	Tripwire/Double Tripwire/Perimeter/Object Abandon/Object
Alarm Trigger	Motion Detection/IP Conflict/MAC Conflict/Port Alarm/Mask Alarm
Protocols	IPv4/IPv6/HTTP/802.1x/FTP/SNMP/UPnP/SNMP/DNS/DDNS/NTP/RTSP/TCP/UDP
User Permission	4 Level/8 Users
Remote Connection	5 Users Access at the Same Time
NTP	Y
System Compatibility	ONVIF (Profile S), SDK
Interface	
Audio Input	1-ch, Mic in
Audio Output	N/A
Communication Interface	1-ch RJ45 10M / 100M Ethernet Interface
Alarm Input	N/A
Alarm Output	N/A
Video Output	N/A
On-board Storage	MicroSD Card Slot, up to 128GB
Reset	Y
General	
Language	English, Spanish, Korean, Italian, Turkish, Thai, Russian, Traditional Chinese, Simplified
Operating Conditions	-35℃ ~ 60℃ (IR OFF) / -35℃ ~ 40℃ (IR ON), 0 ~ 95% RHG
Power Supply	DC 12V ± 10%, PoE (802.3af)
Power Consumption	Max. 5W (IR OFF) (ICR Instant Switch 10W) Max. 7W (IR ON)
Circuit Protection	TVS 6000V, Lightning/Surge Protection: (Power 2000V, RJ45 1000V)
Impact Protection	IP67, IK10
IR Range	20m
IR LEDs	8pcs Array
Dimensions	120mm×120mm×90mm
Weight	0.7KG (IP Camera Only); 0.9KG (with Packing Box)

* The latest product information / specification can be found at <http://en.tiandy.com/>

