

TC-NH3204IE

H.265 2MP 4x Starlight Mini EW IR POE PTZ

Tiandy



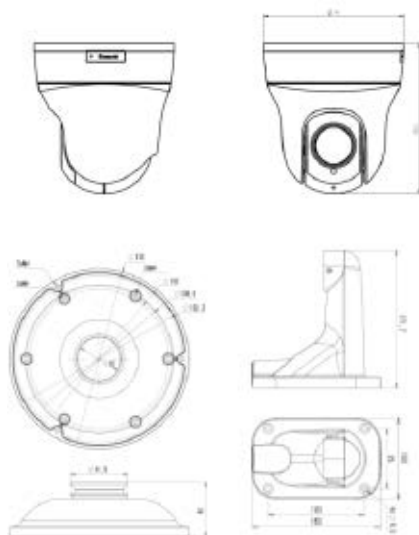
Features

- Early Warning(EW)
- IR LED+White Light+Speaker
- Starlight Ultra Low Light 0.002lux
- H.265/H.264 HP/MP/BP/M-JPEG Codec
- Up to 1920×1080@30fps
- Mechanical WDR 140dB
- Min. Illumination Color: 0.002 Lux,B/W: 0.001 Lux, 0 Lux with IR
- VCA Tripwire/Double Tripwire/Perimeter/Object Abandon/Object Lost/Running/Loitering/Parking/Early warning/Crowd/Audio Abnormal Detection/Video Abnormal Detection"
- Smart IR, IR Range: 50m
- Speed Max 60°/s, -2~90° Tilt Angle
- Optical Zoom: 4x, Digital Zoom: 16x
- Built-in Gyro and Support Image Auto-flip
- Interface Built-in Mic,Built-in Speaker,Audio in/out 1/1,Alarm in/out 2/1, microSD Card Slot, up to 128GB, Reset Button
- Support Wifi
- Operating Conditions -10°C-50°C, 0~95% RHG
- TVS 6000V, Lightning/Surge 4000V Protection, Indoor IP65
- CE, FCC

Camera	
Image Sensor	1/2.8" CMOS
Effective Pixels	1920(H)x1080(V)
Signal System	PAL/NTSC
Minimum Illumination	Color: 0.002Lux @(F1.6, 50 IRE, ICR off) Black&White:0.001Lux @ (F1.6,50 IRE, ICR ON) 0 lux with IR
White Balance	Auto/ ATW/ Manual
AGC	Auto/Manual
S/N Ratio	≥ 55dB
BLC	Y
HLC	Y
Smart Defog	Y
WDR	140dB
Digital Noise Reduction	3D DNR
Exposure Mode	Auto/ Manual
Shutter Time	1/1s~1/100000s
Day& Night	IR Cut Filter with Auto Switch
Digital Zoom	16x
Privacy Masking	24 Privacy Mask Programmable; Optional Multiple Colors
Auto Focus	Auto/ Semi-automatic/ Manual
OSD	16×16,32×32,24×24,48×48,64×64 Character Size
Lens	
Focal Length	2.8-12mm, 4x
Zoom Speed	Approx.5s(Optical Wide-Tele)
Angle of View	104°(w)~30°(t)
Minimum Working Distance	0.5-1m(Wide-Tele)
Aperture Range	F1.4-F2.8
Pan & Tilt	
Pan Range	355° Endless
Pan Speed	Pan Manual Speed: 0.1°-60°/s, Pan Preset Speed: 60°/s
Preset Accuracy	±0.2°
Tilt Range	-2°-90° (Auto Flip)
Tilt Speed	Tilt Manual Speed: 0.1°-60°/s, Tilt Preset Speed: 60°/s
Proportional Zoom	Rotation Speed Can Be Adjusted Automatically According to Zoom Multiples
3D Position	Y
Number of Preset	500
Scan	8
Cruise	8, up to 32 Presets per Cruise
Pattern	8, Each One With 600s Memory or 300 Orders
Power loss recovery	Y
Guard Action	Preset/ Cruise/ Pattern/ Scan
PTZ Position Display	Y
Freeze Frame	Y
RS-485 Protocols	DOME_PELCO_D, DOME_PELCO_P, DOME_PLUS
Infrared	
IR Irradiation Distance	50m
IR Irradiation Angle	Adjustable by Zoom
Interface	
Audio Input	1-ch Mic in(Line in Interface)
Audio Output	Built-in Speaker
Ethernet	1-ch RJ45 10M/ 100M
Alarm Input	2-ch
Alarm Output	1-ch
On-board Storage	MicroSD Card Slot, up to 128GB
BNC&RS-485	Y
Extension	N/A
Network	
Ethernet	10Base -T/100Base-TX RJ45 Connector
Max.Image Resolution	1920×1080
Main Stream	1920×1080@25/30fps; 1280×960@25/30fps; 1280×720@25/30fps; 640×480@25/30fps;
Sub Stream	704×576@25/30fps;704×480@25/30fps; 704×288@25/30fps;704×240@25/30fps;
Third Stream	352×240@25/30fps; 352×288@25/30fps;
Image Compression	H.265/H.264 High Profile/MJPEG
ROI Encoding	8 Dynamic Areas with Adjustable Levels
Audio Compression	G711A/G711U/ADPCM/AAC
Protocols	IPv4/IPv6/ HTTP/ HTTPS/ 802.1x/ Qos/ FTP/ SMTP/ UPnP/ SNMP/ DNS/ DDNS/
Remote Connection	5 Users Access at the Same Time
User Permission	Up to 32 Users, 4 Levels User Authentication (ID and PW), Host Authentication (MAC Address) IP Address Filtering
Security Measures	
Web Browser	IE8,IE9,IE10,IE11,Firefox24
System Compatibility	ONVIF (Profile S), SDK
Advance	
Early Warning(EW)	When the target break into the area and trigger alarm, enable the speaker to warn,
Video Analytics	Tripwire/Double Tripwire/Perimeter/Object Abandon/Object
Intelligent Alarm	Harsh Voice Alarm, Motion Ddetection, Mask Alarm, Port Alarm,Network Disable
General	
Language	English,Spanish,Korean,Italian,Turkish,Thai,Russian,Traditional Chinese,Simplified
Operating Conditions	-10°C-50°C, 0~95% RHG
Power Supply	DC12V/POE/AC24
Power Consumption	4.9W(IR OFF)/ 8.9W(IR ON)
Circuit Protection	TVS 6000V, Lightning/ Surge 4000V Protection
Impact Protection	Indoor IP65
IR LEDs	3pcs
Wiper	N/A
Dimensions	152.2mmx141mmx141mm
Weight	0.8KG (IP PTZ Only), 1.2KG (with Packing Box)

* The latest product information / specification can be found at <http://en.tiandy.com/>

Dimensions



Bracket(Optional)

Model: A21+A23



Tiandy Digital Technology Co., Ltd. | en.tiandy.com

Add: No.8, Huake Rd2, Binhai Hi-Tech Industry(Huayuan), Tianjin 300384 China

Tel: +86-22-58596037 Email: sales@tiandy.com

